

Liquid Level Indicators

PROTECTOSEAL SERIES No. 41000

TARGET INDICATOR WITH GUIDED FLOAT

Protectoseal Series No. 41000 Liquid Level Indicators are used for accurate liquid level gaging of fixed roof tanks storing oil, water, solvents and other products. The units are designed for simple, easy installation for "tanks-in-service" or "tanks-out-of-service" and to provide a maximum of trouble-free service. The Indicators are especially recommended for applications requiring a low cost, low maintenance method for liquid level gaging and where operations necessitate accuracy to ± 1 inch.

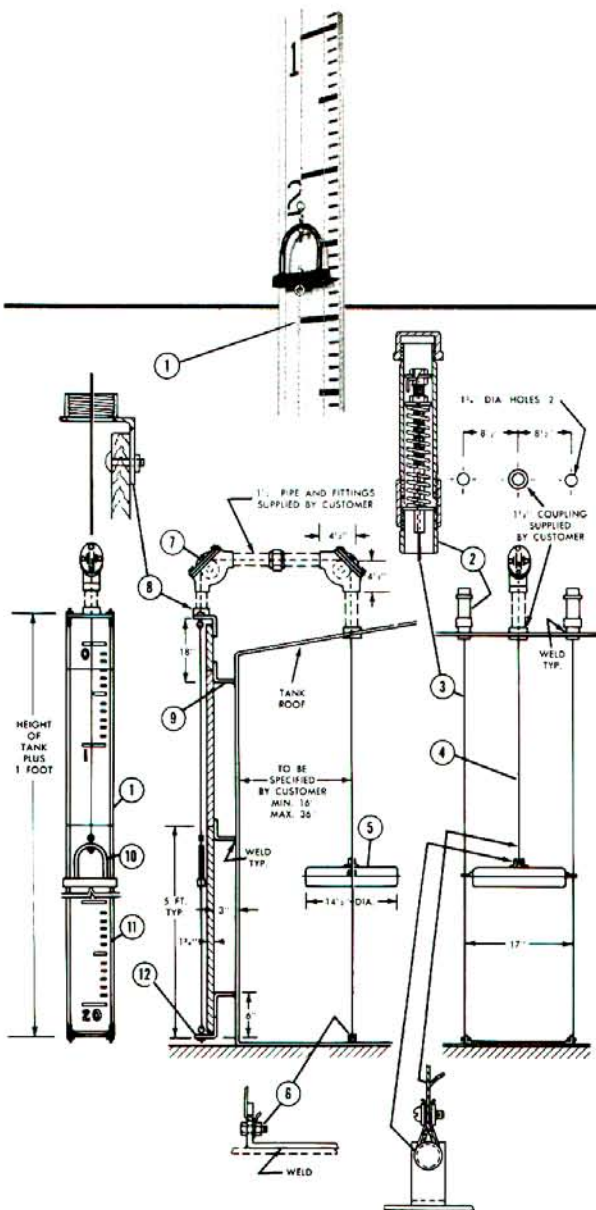
The Indicators are float-operated with a steel target that runs vertically up and down, registering tank contents on a calibrated board that is mounted outside of the tank for quick, convenient readings.

Features of Construction

The sturdy design and stainless steel construction of the float is resistant to the corrosive effects of petroleum products and assures a long dependable use. In addition to the float assembly, the float cable, and guide wires are all stainless steel. Indicator target guide wires are galvanized steel. The target assembly is constructed of steel and furnished together with all of the other items listed above as standard equipment.

A gageboard is supplied only when specified. The Protectoseal gageboard is constructed of aluminum and has bold, legible markings in inches and feet with easy-to-read numerals every foot. Stainless steel gageboards are also available on special order. When Protectoseal gageboards are specified, all brackets and fittings, necessary for mounting and installation are included with instructions for installing.

Limit switches are available upon request.

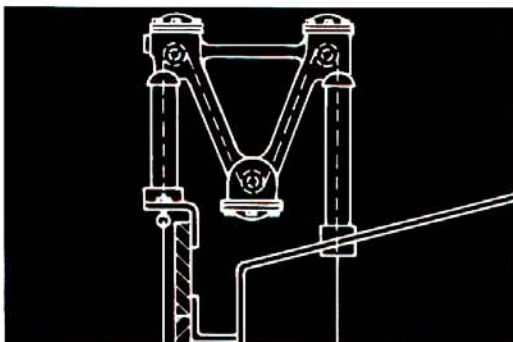


CAT. NO. 41000 AND 41000A
CONE OR FLAT ROOF TANK

Liquid Seal

Where it is necessary to store solvents under slight pressures, a liquid seal can be installed as shown in the Figure below. Using a liquid seal will also retain the flammable or toxic vapors within the tank and prevent excess vapor loss.

Standard liquid seals are made of aluminum with 18/8 sheaves and Teflon bearings and are designed for 8 1/2" W.C. pressure or vacuum.



ITEM	PART NO.	DESCRIPTION	MATERIAL	REQ.
1	41000-320	Board	Aluminum	*
2	41000-100	Top Anchor Assembly	Steel	2
3	41000-125	Guide Wire, Float	Stainless Steel, Type 316	*
4	41000-190	Cable, Float	Stainless Steel, Type 316	*
5	41000-225	Float Assembly	Stainless Steel, Type 316	1
6	41000-120	Bottom Anchor Assembly	Steel	1
7	42000-275	Sheave Assembly	Aluminum Housing, 18/8 Wheel, Teflon Bearing	2
8	41000-155	Top Board Connector	Steel	1
9	41000-135	Board Bracket	Steel	*
10	41000-185	Indicator Assembly	Steel	1
11	41000-120	Guide Wire, Indicator	Steel Galvanized	*
12	41000-145	Bottom Bracket Assembly	Steel	1

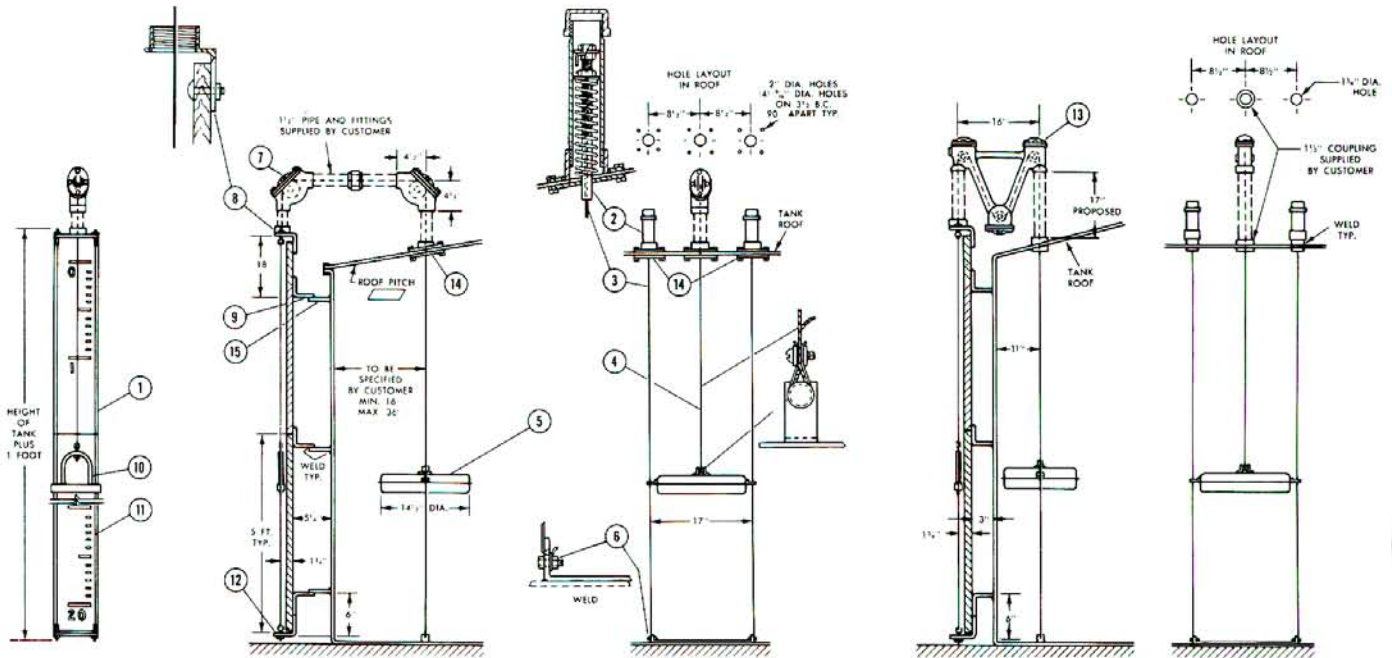
*Depends upon tank height

41000 includes items 1-12

41000A includes items 2, 3, 4, 5, 6, 7, 8, 10, 11, 12 and 13

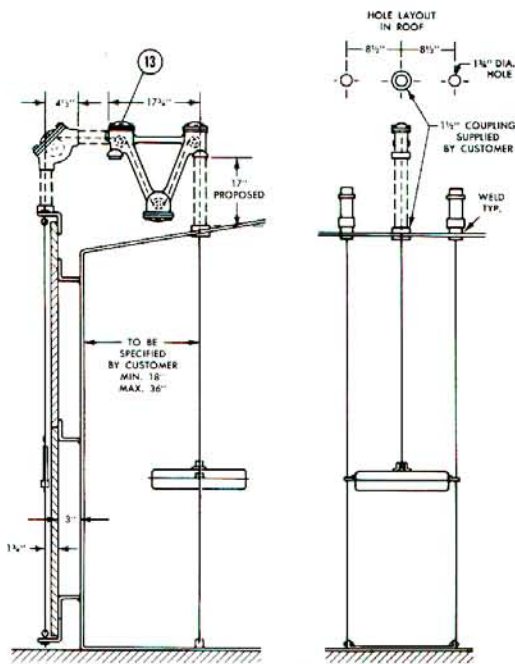
Various Applications of Liquid Level Indicators

PROTECTOSEAL SERIES No. 41000



**CAT. NO. 41050 AND 41050A
A.P.I. STD. BOLTED TANKS**

**CAT. NO. 41200 AND 41200A
CONE OR FLAT ROOF TANK WITH LIQUID SEAL**



**CAT. NO. 41500 AND 41500A
CONE OR FLAT ROOF TANK WITH LIQUID SEAL**

ITEM	PART NO.	DESCRIPTION	MATERIAL	REQUIRED		
				41050	41200	41500
1	41000-320	Board	Aluminum	*	*	*
2	41000-100	Top Anchor Assembly	Steel	2	2	2
3	41000-125	Guide Wire, Float	Stainless Steel, Type 316	*	*	*
4	41000-190	Cable, Float	Stainless Steel, Type 316	*	*	*
5	41000-225	Float Assembly	Stainless Steel, Type 316	1	1	1
6	41000-130	Bottom Anchor Assembly	Steel	1	1	1
7	42000-275	Sheave Assembly	Aluminum Housing, 18/8 Wheel, Teflon Bearing	2	—	1
8	41000-155	Top Board Connector	Steel	1	1	1
9	41000-135	Board Bracket	Steel	*	*	*
10	41000-185	Indicator Assembly	Steel	1	1	1
11	41000-120	Guide Wire, Indicator	Steel Galvanized	*	*	*
12	41000-145	Bottom Bracket Assembly	Steel	1	1	1
13	41200-175	Liquid Seal Assembly	Aluminum Housing, 18/8 Wheel, Teflon Bearings	—	1	1
14	41000-200	Roof Flange Assembly	Steel	1	—	—
15	43000-165	Tank Bracket	Steel	*	—	—

*Depends upon tank height

41000 includes items 1-12

41000A includes items 2, 3, 4, 5, 6, 7, 8, 10, 11, 12 and 13